



## GS-LED-C1 series



### Housing

- Manufactured according to IEC60598-1:2003
- Unique design for better removal of dirt and self-cleaning
- Advanced thermal management to maximize performance
- 1W optical module Cree LED with individual lenses
- Die-cast aluminum housing
- Electrostatic powder-coated surface applied on chromate pre-treated surface
- Glass lens for superior performance
- Easy access into the luminaire
- Reduced maintenance
- Anodized aluminum reflector

# Fixtures



**Greenshine**

1-949-609-9636

sales@streetlights-solar.com

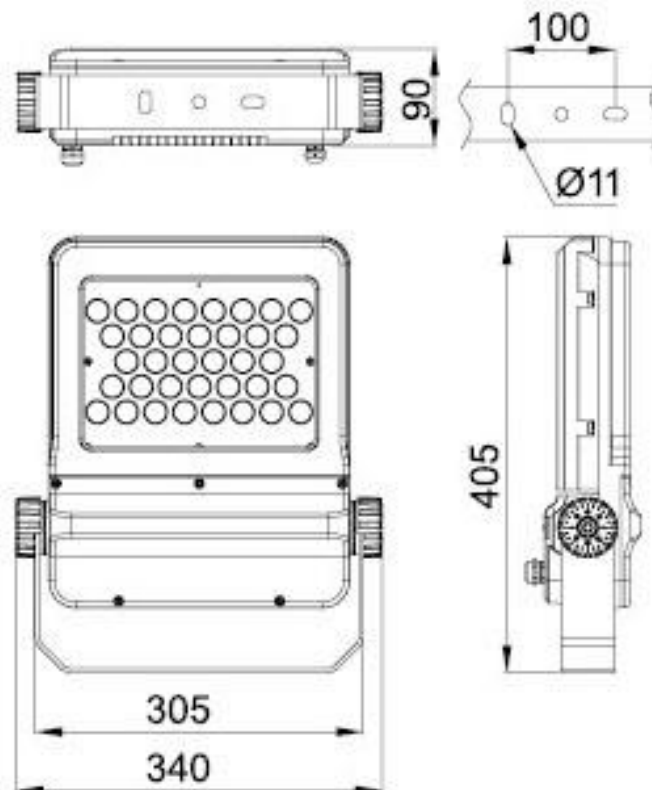
www.streetlights-solar.com

## Specifications

Luminaire input voltage	DC 12V/24V
Power consumption	45W/60W
Lumen output	2911/3784 lumens
Color temperature	~6200K
IES lighting type	Type II
Material	High pressure die-cast aluminum
Lens	5mm toughened glass, optical grade PMMA
IP class	IP 65
Insulation	Class I
Operating temperature	-30°C ~+50°C/ -22°F ~+122°F
CRI	≥70

**Weight:** 7.1kg (15lbs)

## Dimensions:



*\* Contact us for more details and options*